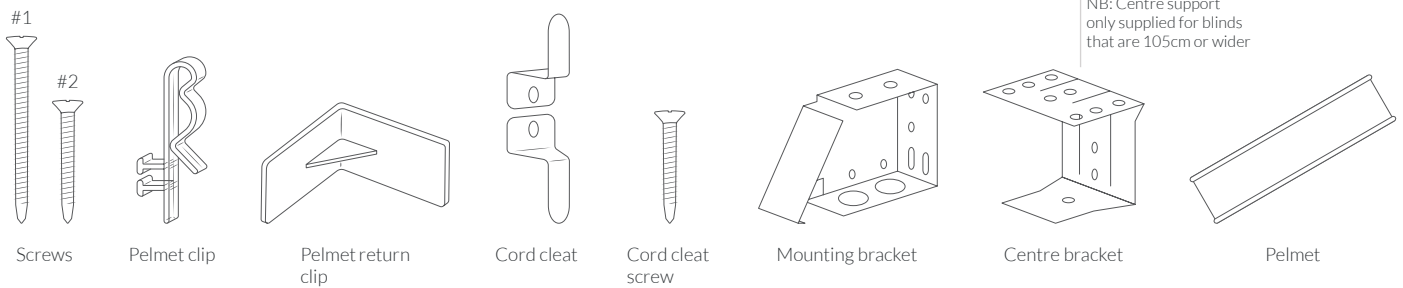


WOODEN BLIND FITTING INSTRUCTIONS

FITTING COMPONENTS



FITTING HARDWARE

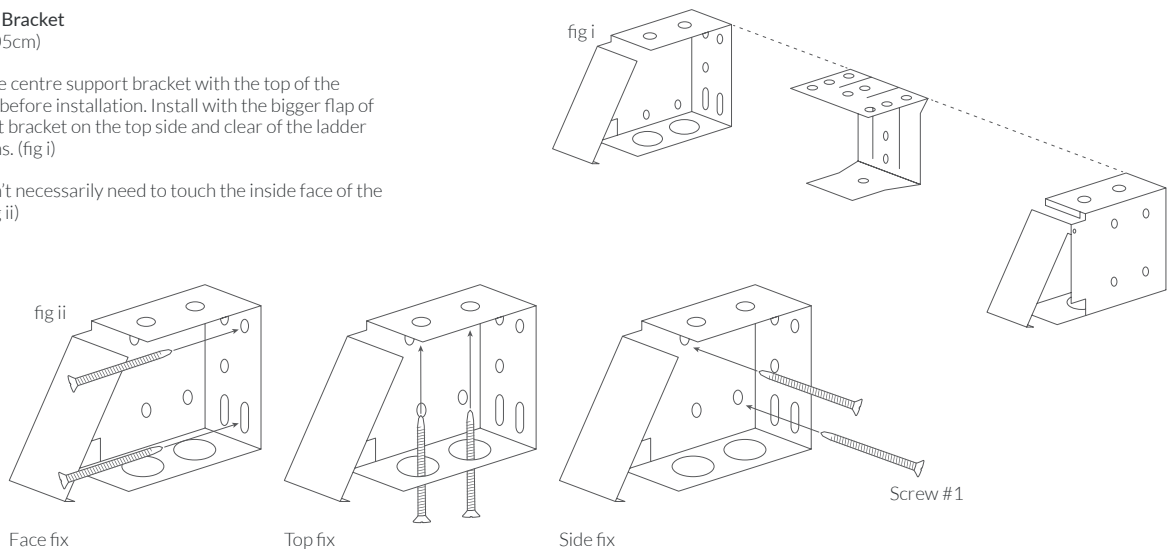


1 MOUNTING THE BRACKETS

Mounting Centre Bracket (for blinds over 105cm)

Align the top of the centre support bracket with the top of the mounting bracket before installation. Install with the bigger flap of the centre support bracket on the top side and clear of the ladder cord/tape positions. (fig i)

The bracket doesn't necessarily need to touch the inside face of the window frame. (fig ii)



2 SET UP THE PELMET

I. Push rail into brackets, then press gate to close brackets.

II. Cutting the Pelmet

To cut down your pelmet, measure to the correct length and cut down with a hacksaw.

Note:

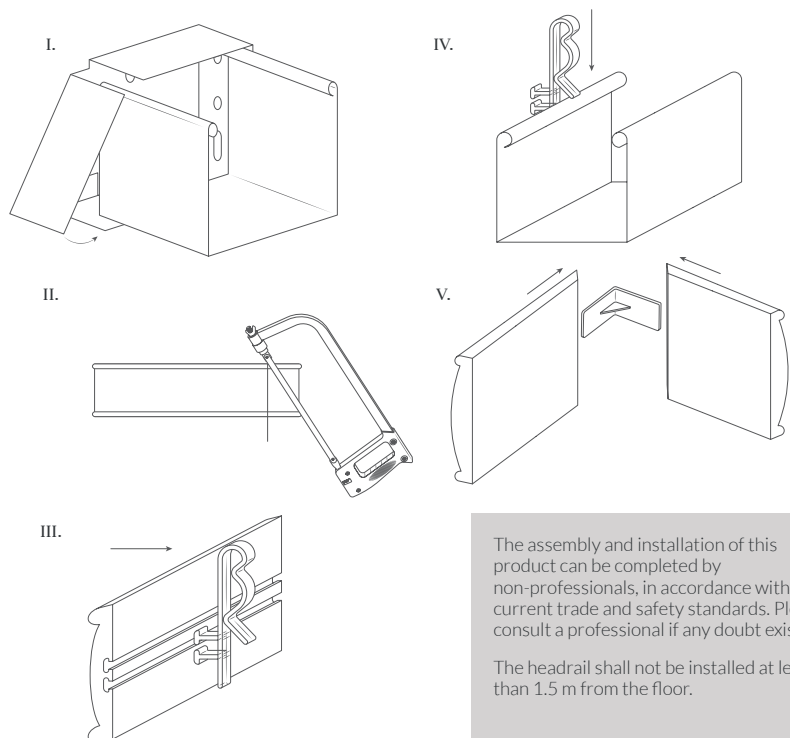
Cutting down your pelmet is optional, you may not need to cut it down.

III. Slide pelmet clips onto the back side of the pelmet making sure it is secure

IV. Hook pelmet clip with pelmet attached onto the top of the head rail.

V. For Outside Mount

Slide one end of the pelmet return bracket on to the pelmet and push firmly. Once it is secure, slide the other end of the pelmet return bracket onto the pelmet return.



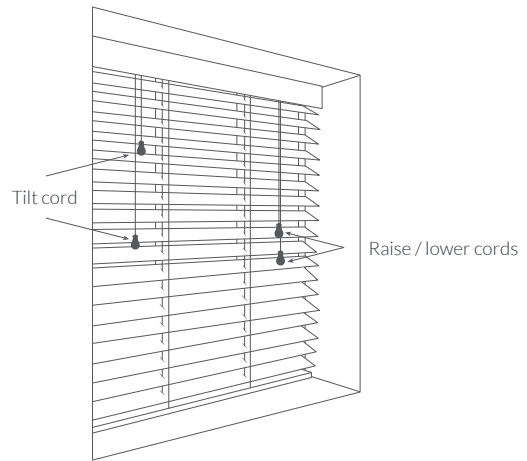
The assembly and installation of this product can be completed by non-professionals, in accordance with current trade and safety standards. Please consult a professional if any doubt exists

The headrail shall not be installed at less than 1.5 m from the floor.

3 OPERATING CORDS

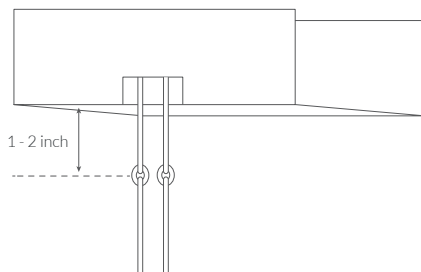
Always tilt blind horizontally before raising / lowering to extend the life of the wooden blind.

- To lower blind:** Move cord to the left, pulling down gently until cord lock releases.
- To raise blind:** Pull cord downwards until blind reaches desired height.
- To lock cords:** Pull cord right and release. Cord will lock automatically.
- To tilt:** Operate tilt cords as required.



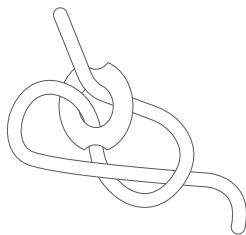
4 MAKE YOUR WOODEN BLINDS CHILD SAFE

1. Install blind as directed above, making sure headrail is securely fastened. Lower blind to maximum desired length and lock it into place.
2. Measure the distance from headrail to cord-stops. If cord-stops are 1 to 2 inches below the headrail, no further adjustments are needed and your wooden blind is ready to use.



3. If cord-stops are not 1 to 2 inches below headrail, loosen (but do not untie) the knot surrounding the cord-stop.
4. Push both the cord-stop and the loosened knot toward the headrail until the cord-stop is 1 to 2 inches below the headrail.

Hold cord-stop in place and pull firmly on pull cord to re-tighten knot. Repeat steps 2, 3 & 4 for each cord-stop.



When the blind is raised, install the safety cleat and tie up the excess cord.

Note: The use of a cord-cleat is necessary to fully utilize the safety feature of the cord-stops.

Reduce risk of strangulation to infants and toddlers. Position safety cord-stops before using blinds

The cord length on all blinds will be as follows:

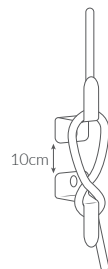
If the full drop of your blind is less than 2.5 metres, the cord will be 1 metre long. If the full drop of your blind is over 2.5 metres, the cord will be 2/3 the length of the blind.

If you require a longer cord than is standard, please call us to discuss, before ordering. Please be aware that we will need the installation height of your blind (from the top of the fitting location, down to the floor). There are still restrictions on the length of the cord.



Breakaway Consolidator

Breakaway consolidators are provided on all blinds. The consolidator will come pre-attached to your blind. If any weight is placed on the cords the breakaway consolidator will break apart. In the event of this, check that it is not damaged, re-insert the free cords and click the sections back together.



Child Safety Device (Safety Cleat)

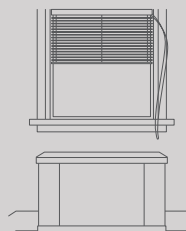
The device should be installed as close to the headrail as possible. Each section of the safety device must be at least 10cm apart.

1. Use double sided tape, or similar, to stick the tensioning device to the wall temporarily while preparing to drill and screw permanently into place.
2. Always wrap all loose cords around the cleat in a figure of 8 pattern.

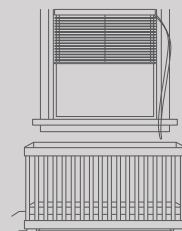
Young children can be strangled by loops in pull cords, chains, tapes, and inner cords that operate the product. To avoid strangulation and entanglement, keep cords out of the reach of young children. Move beds, cots and furniture away from window covering cords. Do not tie cords together. Make sure cords do not twist and create a loop.



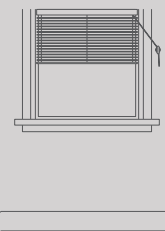
Safety devices are designed to reduce the risk of accidental strangulation, but will not completely eliminate this type of risk. Keep cords, chains, tapes, and similar components out of the reach of children and never install the blind without its adequate safety device.



Do not put sofas, chairs, tables, shelves or bookcases near to a window blind, as children love to climb.



Do not place your child's cot, bed, highchair, or playpen near to a window blind.



Make sure all cords and chains are secured and out of reach.