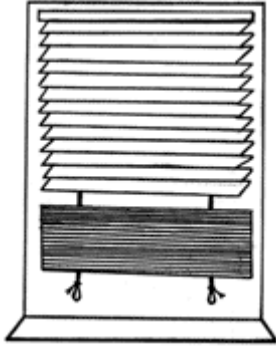


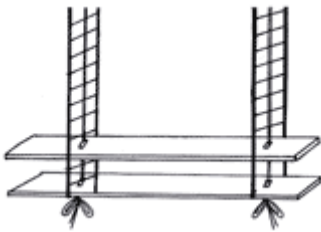
Styleline Bottom Bar Installation Guide

How To Install Bottom Bar On Ready Made Styleline Blinds

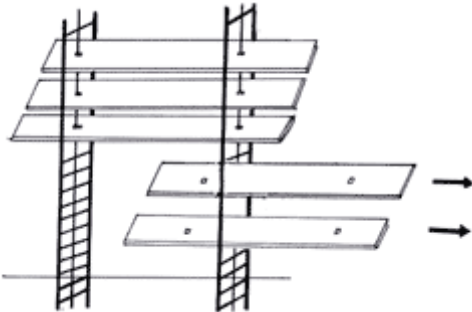
1. Install your wooden blind following the instructions enclosed in the box. At this stage there may be extra slats resting on the window sill.



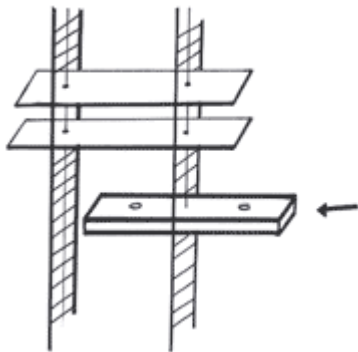
2. Underneath the bottom slat undo the knots in the single cords running through the middle of the slats.



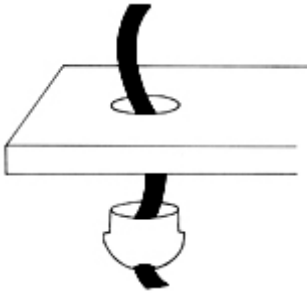
3. Slide out any extra slats which are not required.



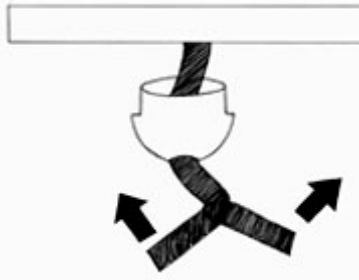
4. Slide the thicker bottom bar through the space in the ladder tape underneath the last slat.



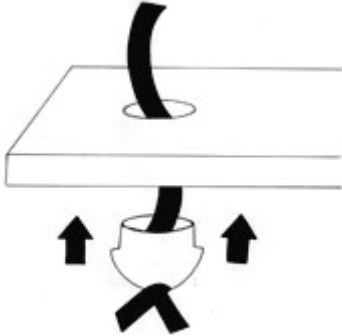
5. Push the wooden button out of the bottom bar.



6. Pass the raise / lower single strand cord (the cord which runs through the centre of the slats) through the hole in the wooden button and tie a double knot in the cord below the wooden button, pulling the knot tight so it will not slip through the hole in the button.



7. Now push the button back into the hole into the bottom bar.



8. When each bung has been refixed, check that the knots you have just tied are secure then try raising, lowering and tilting the blind slats.



9. Only when you are sure the blind is correct you can cut off any excess cord and ladder string.

