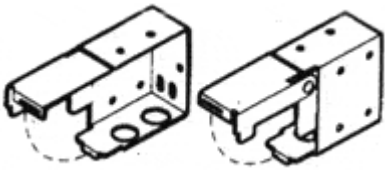


Woodwind Plus Wooden Blinds Installation Guide

Tools You Will Need

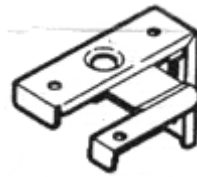
- Phillips Screwdriver (can be substituted with an electric power driver)
- Tape Measure
- Pencil

Installation Components Included

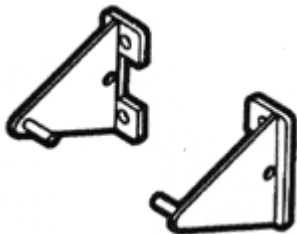


Left & Right Box Brackets

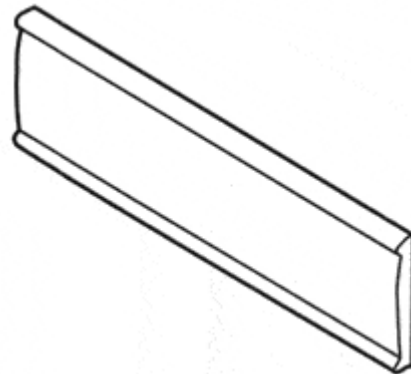
OR



2 Swivel Brackets (for blinds over 150cm, use 3 swivel brackets)



Hold Down Brackets



1 Colour-matched Valance



2 large screws for each installable bracket,
2 large screws for each centre support,
2 small screws for each hold down bracket.



Centre Support
(for blinds over 150cm wide)

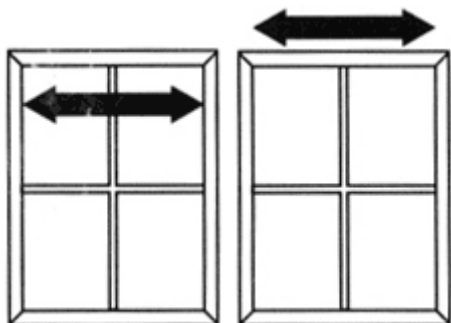


2 Valance Clips
(for blinds over 150cm, 3 Valance Clips)

How To Install Wooden Blinds

STEP 1

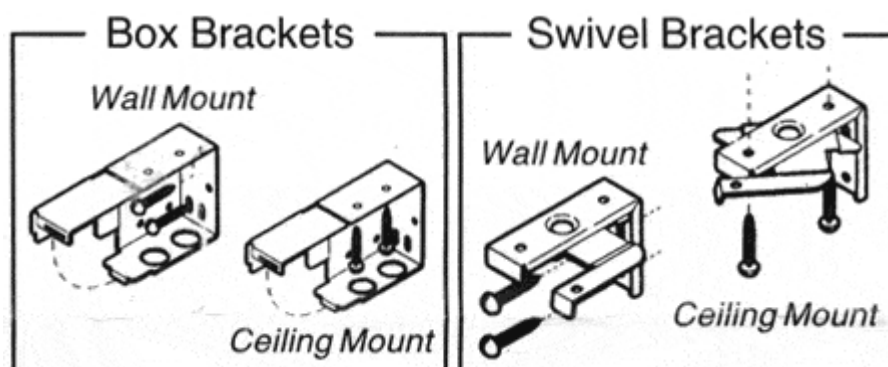
Determine whether wooden blinds will be mounted inside or outside window.



Inside Mount Outside Mount

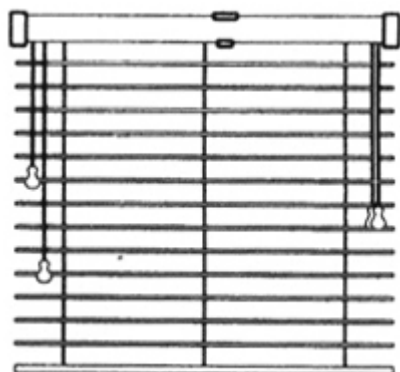
STEP 2

Position the installation brackets in the correct location and securely fasten the brackets using the screws provided.



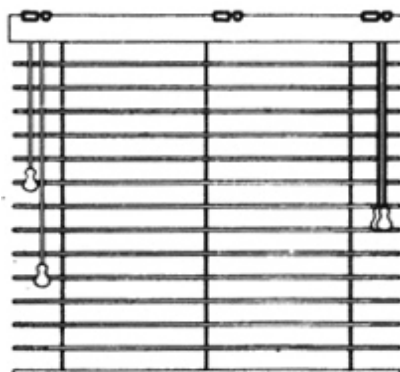
STEP 3

Box Bracket Installation



Right and left Box Brackets should be the width of the blinds apart plus 5mm. Install centre support when needed towards the centre of the blind. Locate centre support on headrail so it doesn't interfere with ladder.

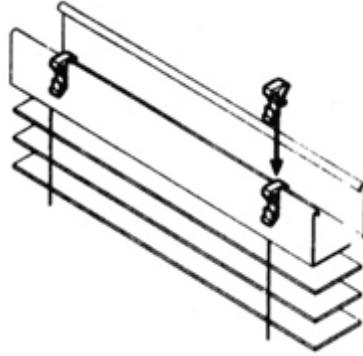
Swivel Bracket Installation



Install swivel brackets slightly in from ends of blinds. **Do not interfere with controls.** When centre bracket is required, locate centre support on headrail so it doesn't interfere with ladder.

STEP 4

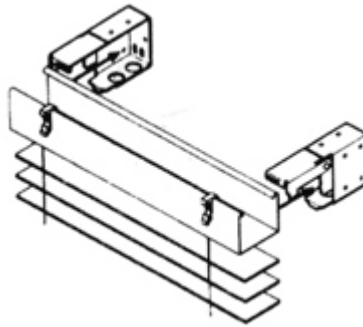
Insert valance clips approximately 15cm in from ends of headrail.



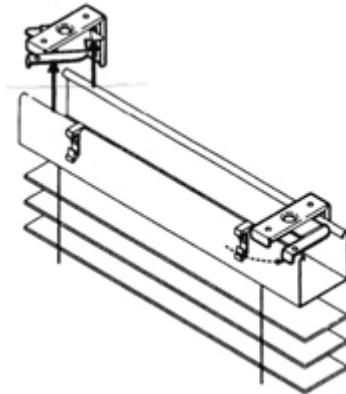
STEP 5

Wooden Blind Installation

Open the hinged 'doors' of the box brackets by depressing the bottom of the bracket to unlatch the door. Insert the headrail into the brackets and close the doors, making sure they latch into the bottom of the bracket. When centre supports are used, make sure headrail is inserted so that it rests on the support.



Swivel Bracket Installation



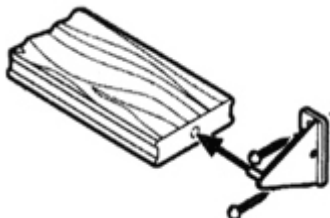
Rotate swivel to open position. Insert blind into bracket and turn swivel to the right until headrail is locked into the bracket.

STEP 6

After securing headrail into the brackets, test the blind by operating the cord lock and tilter.

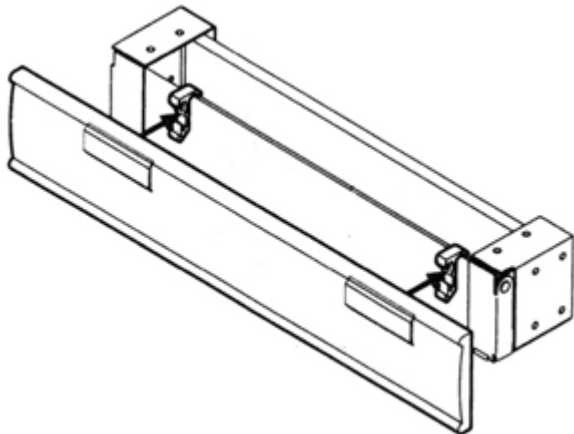
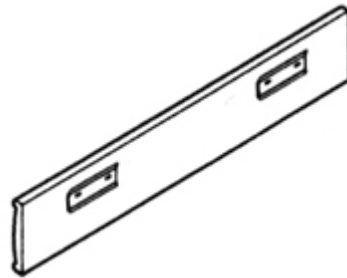
OPTIONAL HOLD-DOWN BRACKETS

Hold-down brackets (optional) can be installed on each side of the bottom of the blind. Locate the appropriate position for the hold-down brackets by dropping the blind and tilting the slats to an open position. Screw brackets into wall and insert pin into hole on bottom rail.

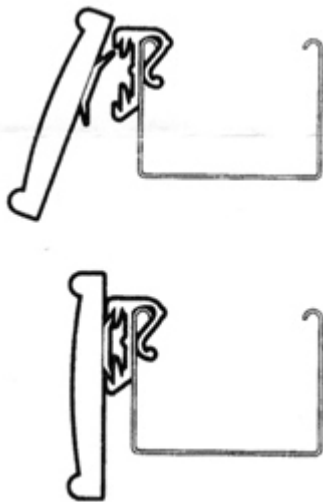


How To Install Valance

Locate pre-assembled plastic strips attached to the back side of the valance.



Slide the valance clips that are mounted on the headrail so that they are aligned with the centre of the plastic strips.

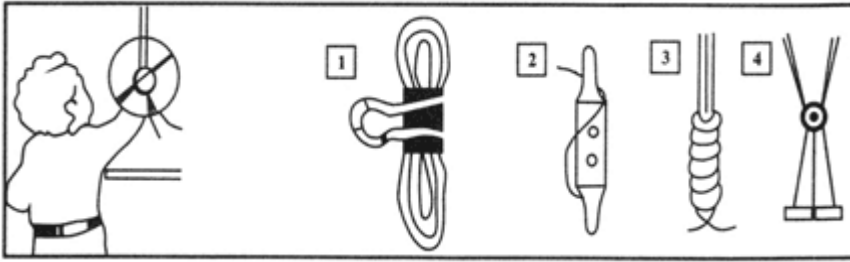


Holding the valance at a slight angle, insert the top edge of the plastic strip into top portion of valance clip. Snap valance securely into valance clip by rotating valance into bottom portion of the valance clip until it clicks into place.

How To Operate

To raise and lower the blinds: pull cords to the left to release cord lock. Pull up to raise the blind or release cords to lower the blind. Pull cords to the right at desired height to lock cords in place. If slats are uneven, adjust blind by pulling on one or the other strands of cord until slats are horizontal.

Tilt function: pull individual cords of tilter to either open or close slats. Do not apply excessive force.



WARNING! Children can be strangled in blind or drapery cords. To keep cords out of reach of children, use these methods:

1. Clamp or clothes pin
2. Cleat
3. Tie the cord to itself
4. Tie-down device