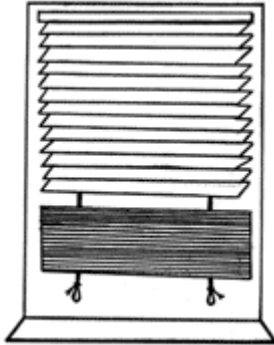


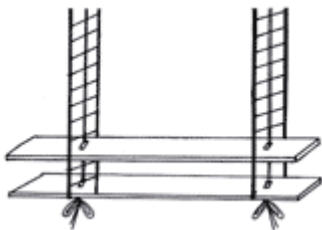
Sunwood Bottom Bar Installation Guide

How To Install Bottom Bar On Ready Made Sunwood Blinds

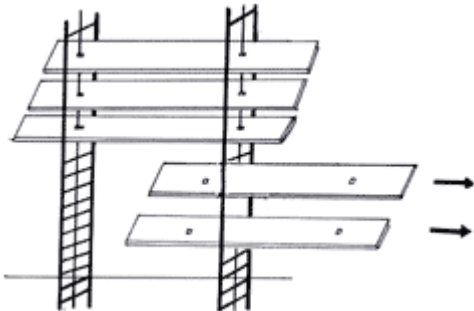
1. Install your wooden blind following the instructions enclosed in the box. At this stage there may be extra slats resting on the window sill.



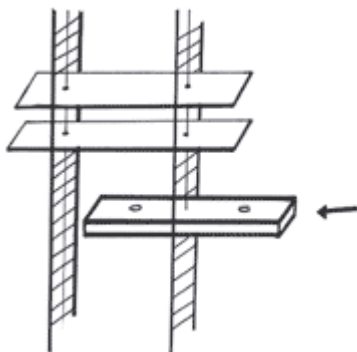
2. Underneath the bottom slat undo the knots in the single cords running through the middle of the slats.



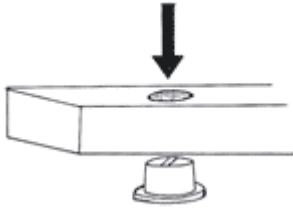
3. Slide out any extra slats which are not required.



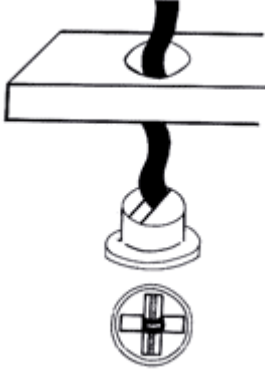
4. Slide the thicker bottom bar through the space in the ladder tape underneath the last slat.



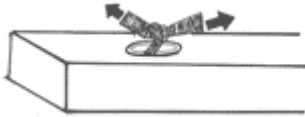
5. Push the plastic bungs out of the bottom bar.



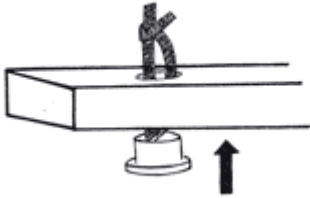
6. Pass the raise / lower single strand cord (the cord which runs through the centre of the slats) through the hole in the bottom bar. Now pass the raise / lower cord through the middle of the plastic bung then back through the bung again at the other side of the brass bar inside.



7. Tie a double knot in the cord from above, pulling the knot tight so its inside the bung.



8. Push the bung back into the bottom bar trapping the ladder cord between the bung and wooden pole.



9. When each bung has been refixed, check that the knots you have just tied are secure then try raising, lowering and tilting the blind slats.



10. Only when you are sure the blind is correct you can cut off any excess cord and ladder string.

