

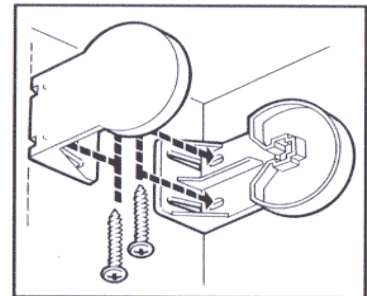
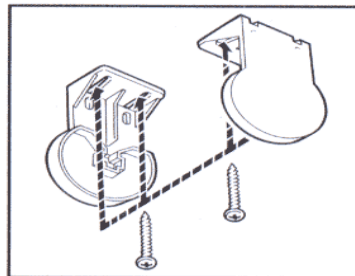
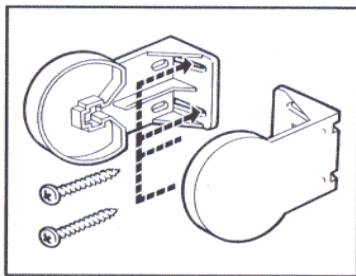
Sunflex Roller Blinds Installation Guide

Accessories enclosed:

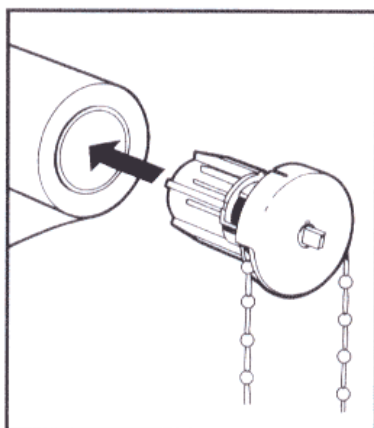
1. 1 fabric
2. 1 roller tube
3. 1 bottom bar assembly
4. 1 control mechanism
5. 1 end plug
6. 2 brackets
7. 4 wood screws

How To Install

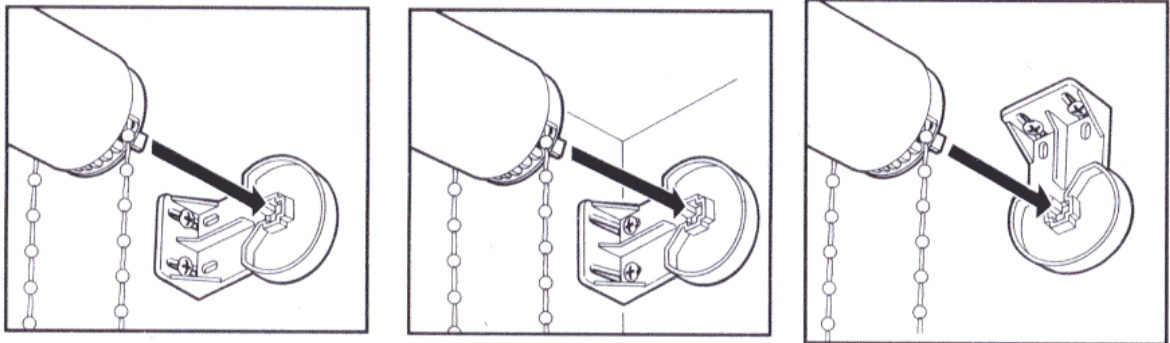
1. Decide which of the examples best suits your needs. Please note that both brackets are identical. To fit you must rotate one bracket 180 degrees so the back plate with the oblong holes will then point to meet one another. For your new roller blind to function correctly, you must ensure the brackets are mounted level. Should you wish to reduce the width of your roller blind, please follow the cutting instructions.



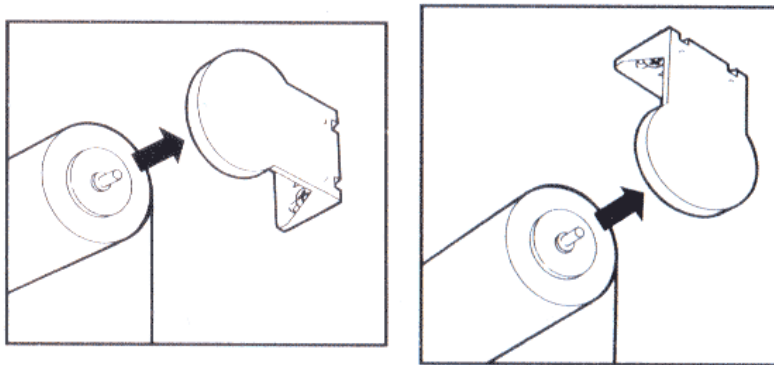
2. Fix fabric to the pretaped roller, then insert the control mechanism. This can be used on either the left or the right hand side.



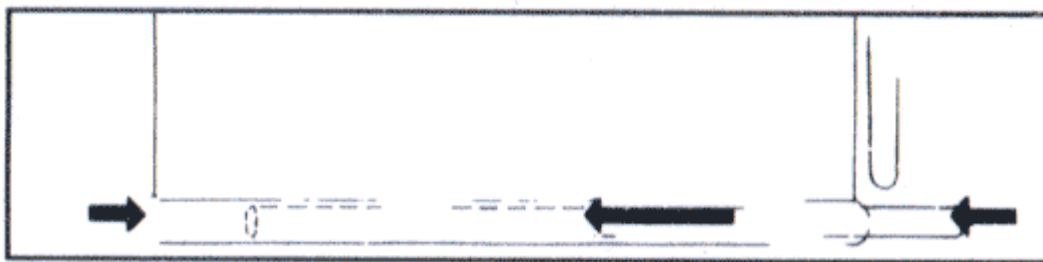
3. When the control mechanism is in position this will then fit into the bracket using the cut out cross. To shorten the chain connector. Pull the chain until the connector is as close to the control mechanism as you can get it on the down pull side. Take the blind out of the brackets and roll up onto the tube by hand so that the fabric is fully raised.



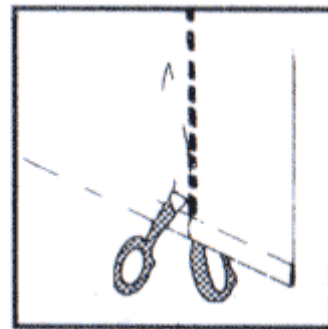
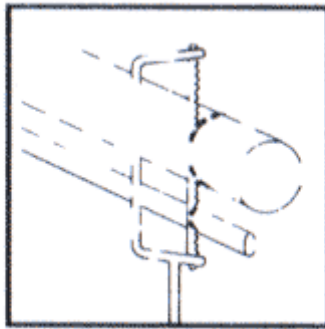
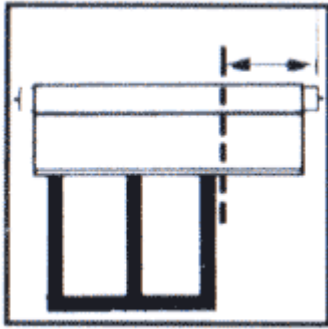
4. Insert the end plug into the other side of the blind. This can then be offered to the other bracket.



5. Finally using the end caps, slot these into the bottom bar for the finishing look.



Cutting Instructions



1. Remove fabric from tube.
2. Measure the width between the brackets.
3. Mark the roller tube 18mm less than the measurement between the brackets. This is to allow fixing of the mechanism.
4. Cut roller tube and bottom bar neatly, using a hacksaw.
5. Measure the width of the fabric. This should be 10mm less than the width of the roller tube. Mark a cutting line on your fabric using a straight edge. Cut material with sharp scissors. Attach fabric to tube using self adhesive tape.
6. To finish hanging your blind, please follow, how to install steps 2-5.
7. If your blind has a shaped bottom please note. It is imperative that you take an equal amount from each side of the fabric to retain the balance of the turret shape.

