

Roller Blinds Installation Guide

Tools required for installation

- Tape Measure
- Pencil
- Drill
- Screwdriver

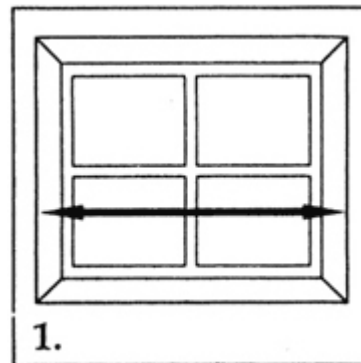
Tools required to reduce the blind

- Scissors or sharp knife

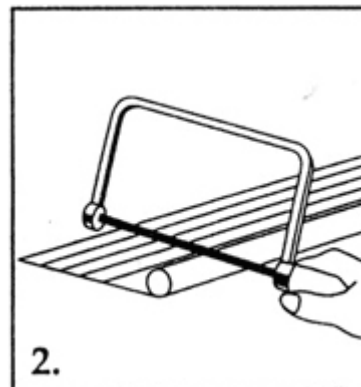
Reducing Width of Blind (if necessary)

1. Decide on the width of blind you require. If fitting into a window recess, measure its width and mark this measurement less 13mm ($\frac{1}{2}$ ") onto the headrail and bottom rail (for best results remove equal amounts from each end).

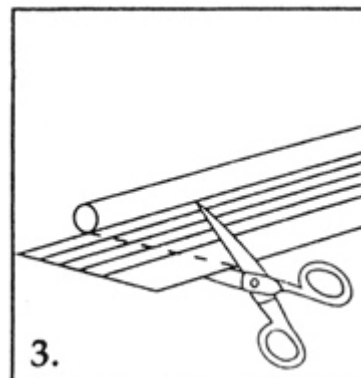
NB: The width of this blind can be reduced by a maximum of 216mm (8½") - 108mm (4¼") on each side.



2. Using a fine tooth hacksaw cut through the headrail and bottom rail, taking care not to damage the slats or cut the cords.



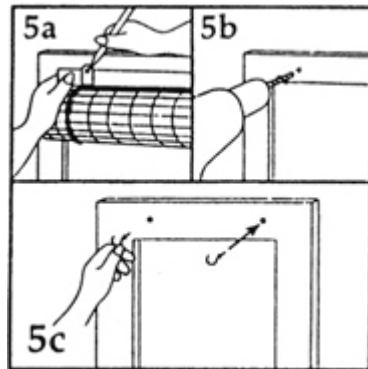
3. Unroll blind and mark reduced width onto the slats at intervals down the blind. To cut down slats use a sharp knife or scissors.



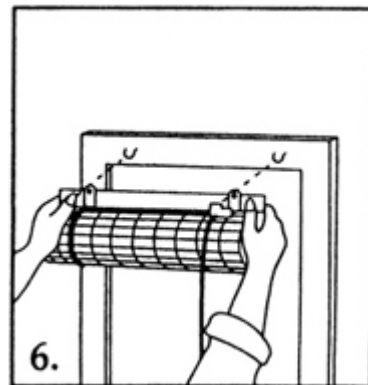
4. Re-roll blind and reposition control cords.

Installing the Blind

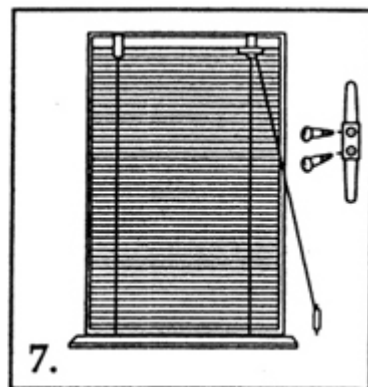
5. Hold the blind to the window and mark off position of screw hooks (Fig 5a). Drill 2mm diameter holes (Fig 5b) and screw in hooks (Fig 5c).



6. Hang the blind on the screw hooks with the cord control facing into the room. Pull cord to release and unroll the blind.



7. The drop of the blind can be limited by either tying a knot in the control cords to stop on the cord lock, or by fixing a cleat hook (provided) and tying the cords at the required drop.



Operating the Blind

Pull cord downwards to release cord lock. Let cord slide through your hand until desired drop is reached. Move cord to the right to engage cord lock.

WARNING: TO AVOID INJURY DO NOT HANG CORDS WHERE THEY CAN BE REACHED BY BABIES OR YOUNG CHILDREN