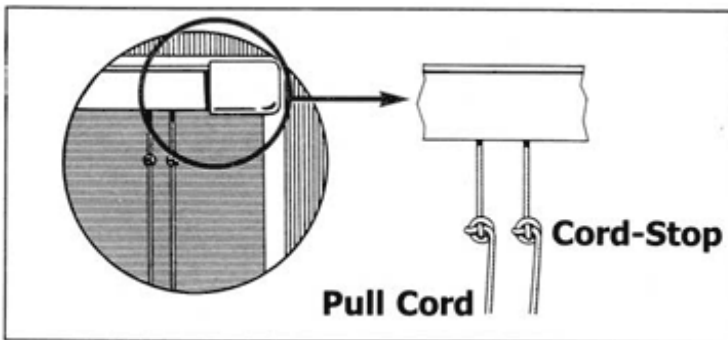


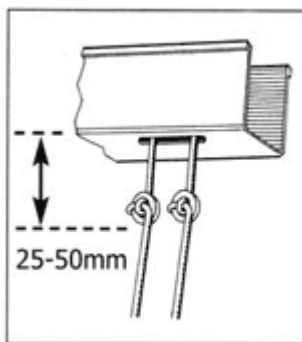
Panama & Sayonara Wooden Roman Blind Installation Guide

WARNING!

Reduce Risk of Strangulation to Infants and Toddlers.
Position Safety Cord-Stops Before Using Blinds.

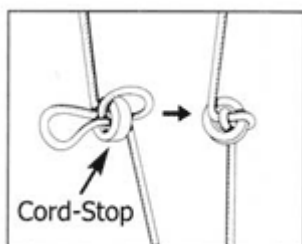


To Position Safety Cord-Stops:

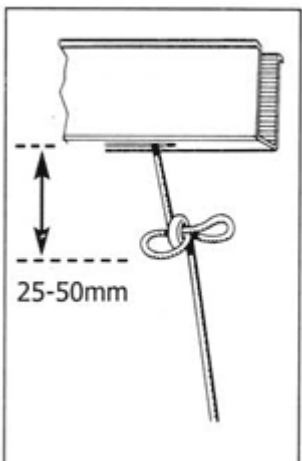


1. Install blind as directed making sure headrail is securely fastened. Lower blind to maximum desired length and lock into place.

2. Measure the distance from headrail to cord-stops. If cord-stops are 25-50mm (1-2") below headrail, no further adjustment is needed. Your blinds are ready to use.



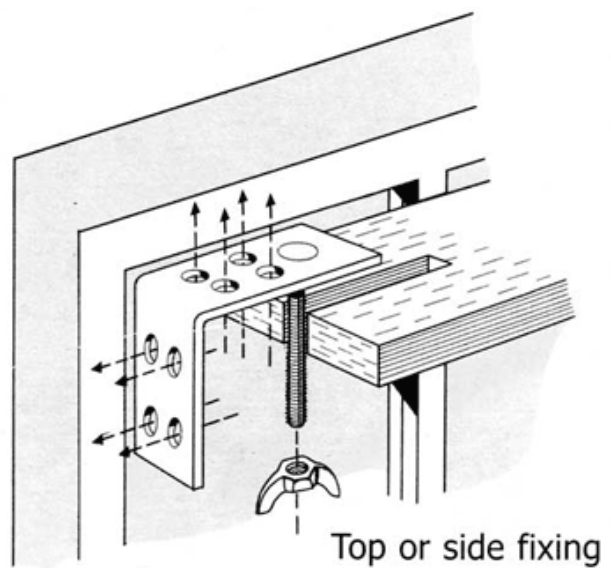
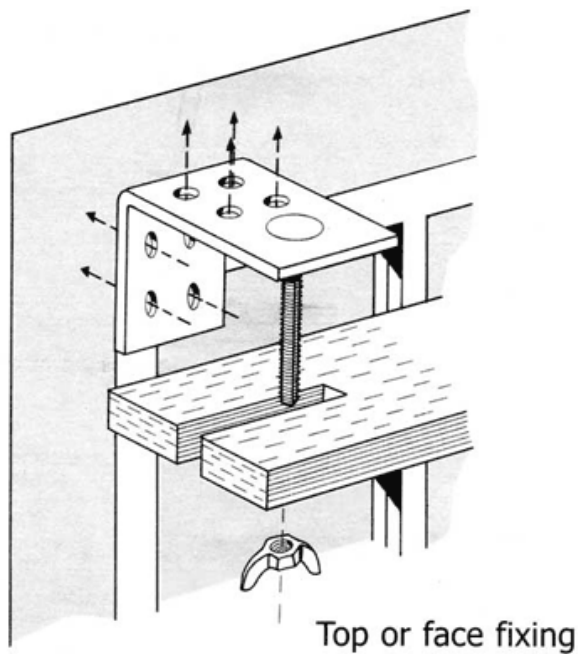
3. If cord-stops ARE NOT 25-50mm below headrail, loosen (but do not untie) the knot surrounding cord-stop.



4. Push both the cord-stop and the loosened knot toward the headrail until the cord-stop is 25-50mm below the headrail.

5. Hold cord-stop in place and pull firmly on pull cord to re-tighten knot.

6. Repeat steps 3 through 5 for each cord-stop.



FITTING INSTRUCTIONS

Decide whether top, face or side fixing. Install brackets at desired location ensuring both brackets are level and securely fixed.

Offer headrail of blind up to the stud and secure with the nut. Tighten nut to ensure a secure fixing.

NB: Always ensure correct fixings and screw lengths are used for required location.

WARNING!

These individual tassle cords reduce the strangulation hazard in the pull cord by removing the loop.

Do not tie the cords together. Check cords periodically to make sure the cords have not twisted into a loop.

This device will not prevent strangulation hazard if young children wrap pull cords around their necks.

Always keep cords out of the reach of young children, use the cleat provided or any of these devices available at local hardware or window covering stores:

1. Clamp or clothes peg
2. Tie cord to itself



