

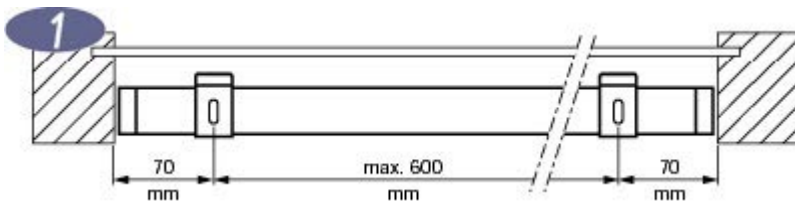
# Luxaflex Wooden Blind Installation Guide

---

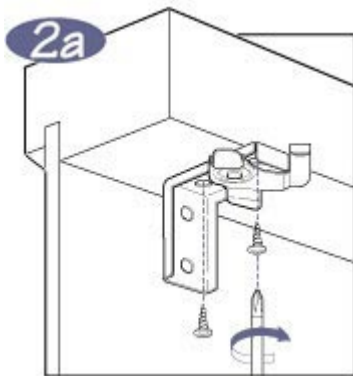
## How To Install Luxaflex Wooden Blinds

### Standard Mounting

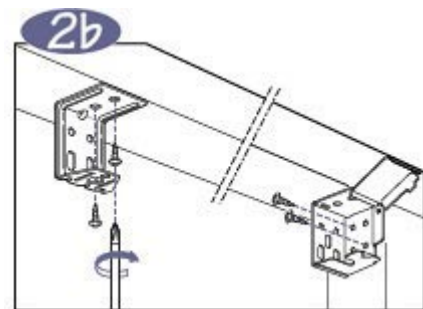
1. Fitting positions - Mark the bracket positions. The distance between the brackets must not exceed 600mm. The brackets should be placed equally along the width of the blind making sure the blind will clear any obstructions such as handles etc.



2a. Swivel brackets - The swivel brackets (standard for blinds upto 1400mm wide) can be used to fit the blind inside or outside the recess and can be top of face fitted. When fitting make sure the blind is mounted horizontally. Also make sure the bracket positions will not obstruct any moving parts in the headrail.

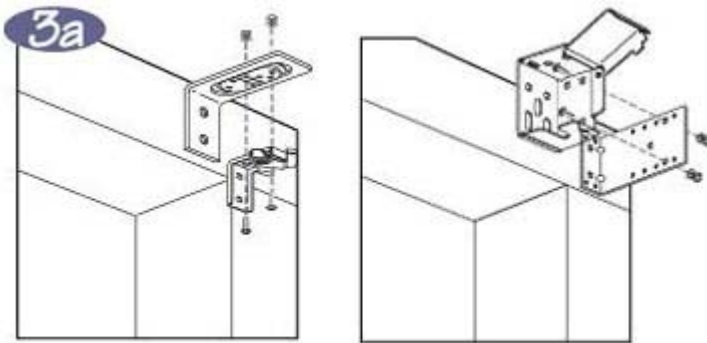


2b. End brackets / centre supports - The end brackets and centre supports can be used to fit the blind inside or outside the recess and can be top, face or side fitted. Blinds with monocommando (motor/crank) operation are always supplied with end brackets and centre supports.

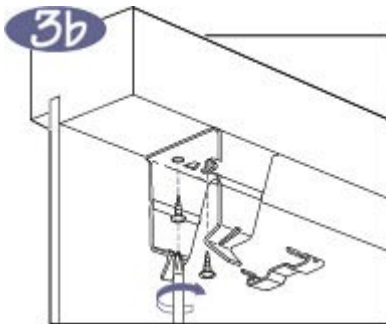


## Mounting Options

3a. Extension brackets (option) - If ordered the correct extension brackets (option) will be included. Install as shown in the diagrams. The distance between the brackets must not exceed 600mm.

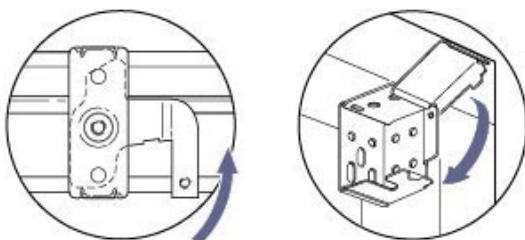
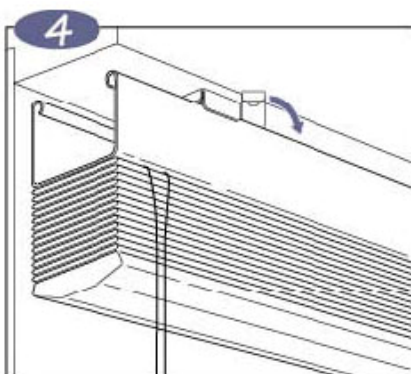


3b. Recess pocket brackets (option) - These brackets are used when there is limited space for installation. Fit the headrail into the bracket and secure with the retaining clip as shown.



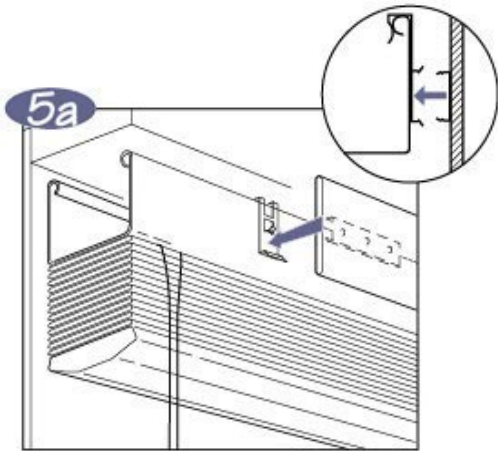
## Installation

4. Blind - Position the headrail in the open brackets. To support larger blinds, the assistance of another person is recommended. Move each clip towards the headrail to lock the brackets.

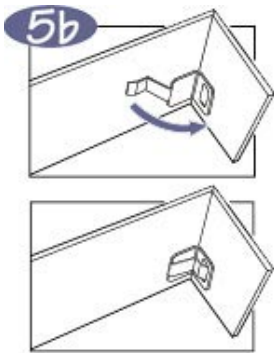


## Valance

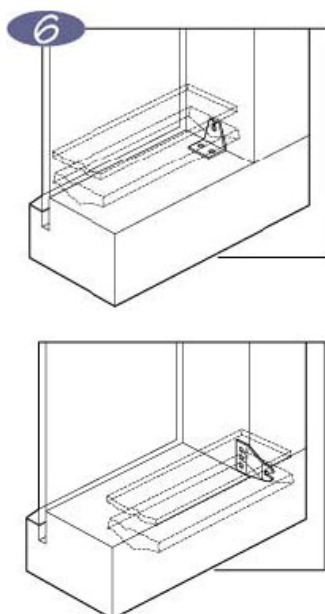
5a. Inside recess - Hang valance over the headrail. Align the clips attached to the valance with the clips on the headrail and snap together.



5b. Outside recess (essentials and FSC cedar blinds) - Hang the valance over the headrail. Lock the hinged corners as shown. Align the clips attached to the valance with the clips on the headrail and snap together.



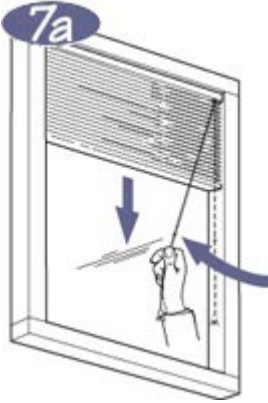
6. Hold-down brackets (option) - These brackets can be mounted inside the recess. They hold the bottomrail in position and should be installed on each side of the bottom rail, as shown. Before the blind is raised, the bottomrail must be released from the brackets.



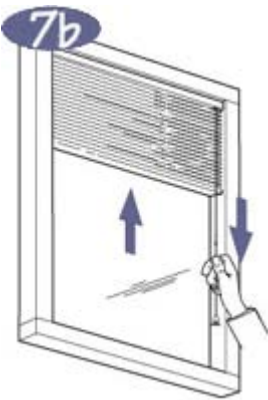
## Operation

Always tilt the slats in a horizontal position before raising or lowering the blind.

7a. Lowering - Carefully lower the blind to the desired position by pulling the cord diagonally towards the centre of the blind to release the cord lock. Then allow the blind to drop holding the cord at this angle.

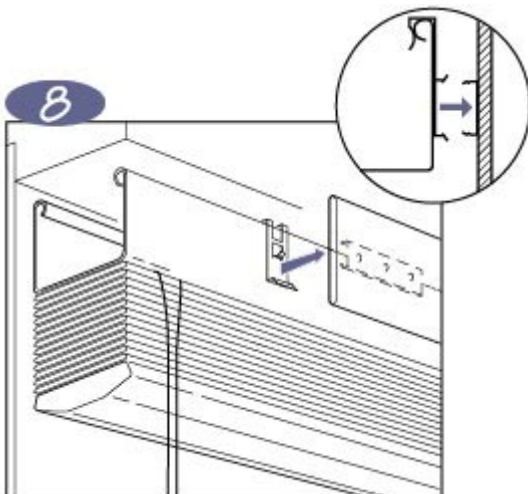


7b. Raising - To raise the blind, pull the cord vertically until the blind reaches the desired position.



## Removal

8. Valance - Carefully remove the valance by tilting the top of the valance forwards and pull gently towards you.



9. Blind - Support the blind while unlocking the brackets using a screw driver to move the clip. When the clips are open, the blind can simply be lifted out of the brackets.

