

# Express Plus Wooden Blinds Installation Guide

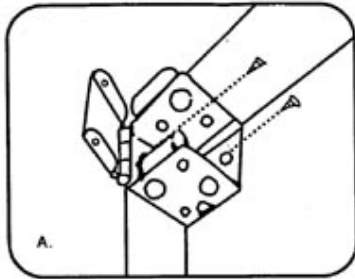
---

Accessories enclosed:

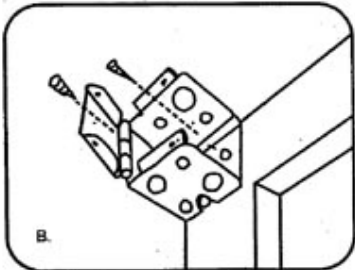
1. 2 mounting brackets placed at both ends of headrail.
2. 1 attachable valance.
3. All screws packed in poly bag.

## How To Install

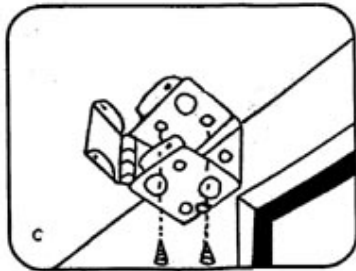
1. Select the method of mounting your blinds that best suits your purpose (see illustrations A, B, C)
  1. Inside mounting to the inside or between the sides of window frame.



2. Outside mounting to the face or outside of the window frame.

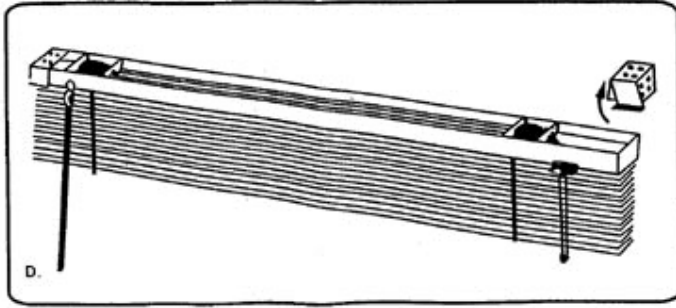


3. Ceiling mounting to an overhead surface such as the top inside of window frame or ceiling.



2. Measure where you want the blind to hang, make sure that the blind is centered and level. When it is positioned properly, make a small pencil mark at each side of the blind to show where you attach the mounting brackets.
3. Hold one bracket (the large holes face the floor) at the desired height and width you have chosen and mark the screw holes with a pencil. Then insert and tighten screw through bracket slot.
4. After the first bracket is mounted, carefully position and attach the second bracket. Double check to ensure it is level with the first bracket and that the brackets are the proper distance apart.

5. Pick up the blind and slide the headrail into the brackets. Make sure that the blind cord and the rotating collar face toward you. Close the front cap on each bracket (see illustration D).



## How To Operate

### Lowering:

Hold cord at eye level and move to left pulling down gently until cord lock releases. Allow cord to slip through fingers until blind reaches desired level. Move pull-cord to the right and release; blind will lock automatically.

### Raising:

Pull cord down until blind reaches desired height, release cord, the blind locks automatically.

### Tilting:

Pull one cord gently to rotate the slats to the require angle. Pulling the other cord will reverse the action. The tilt cords are generally located on the left hand side of the blind.

### Important:

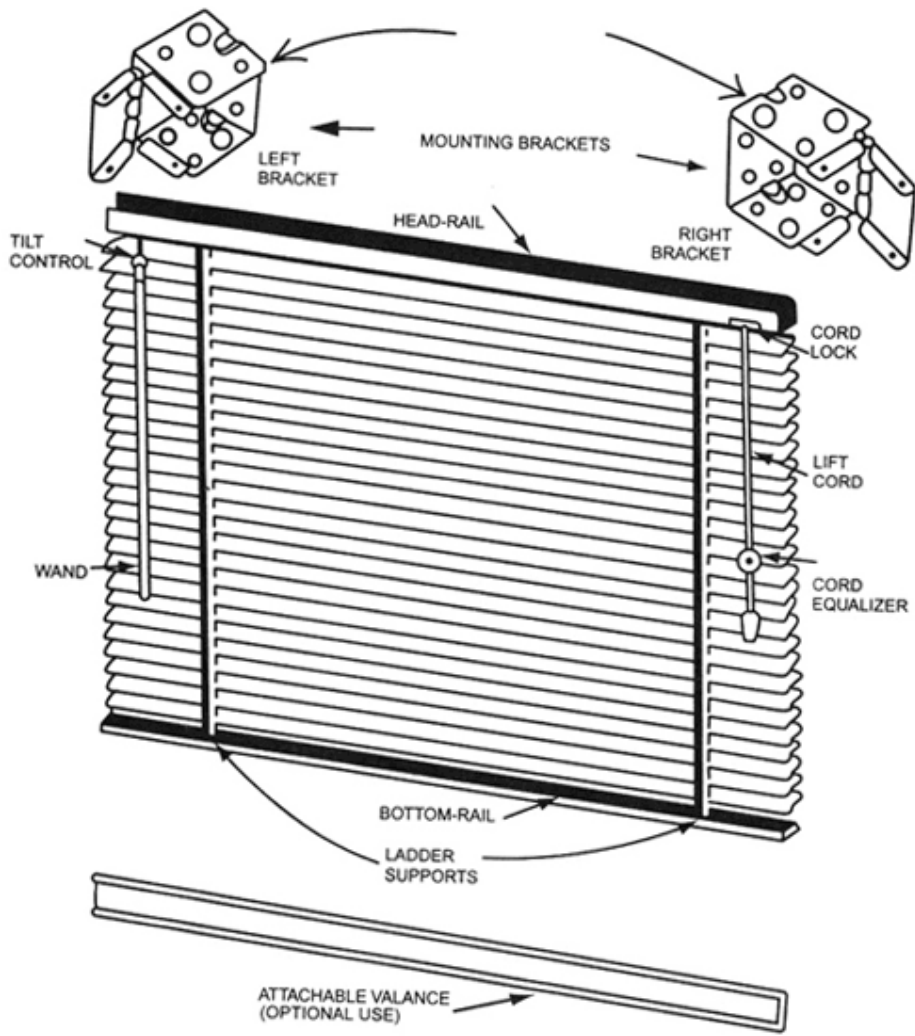
Always tilt blind horizontally before rasing or lowering the blind, this increases life of the blind.

## How To Install Valance

After your blind has been installed, attach the matching wooden valance by its metal clips or hook and loop which attach to the headrail.

### Accessories Enclosed:

- 1) 2 x mounting brackets placed on both ends of headrail
- 2) 1 x attachable valance



## CHILD SAFETY

Child safety devices are supplied to reduce access to hanging cords, please read the instructions attached to the blind carefully

Please note that as with all natural wood products, variations in grain, texture and colour along with some slight warpage may occur. These are an inherent characteristic of real wood blinds.