

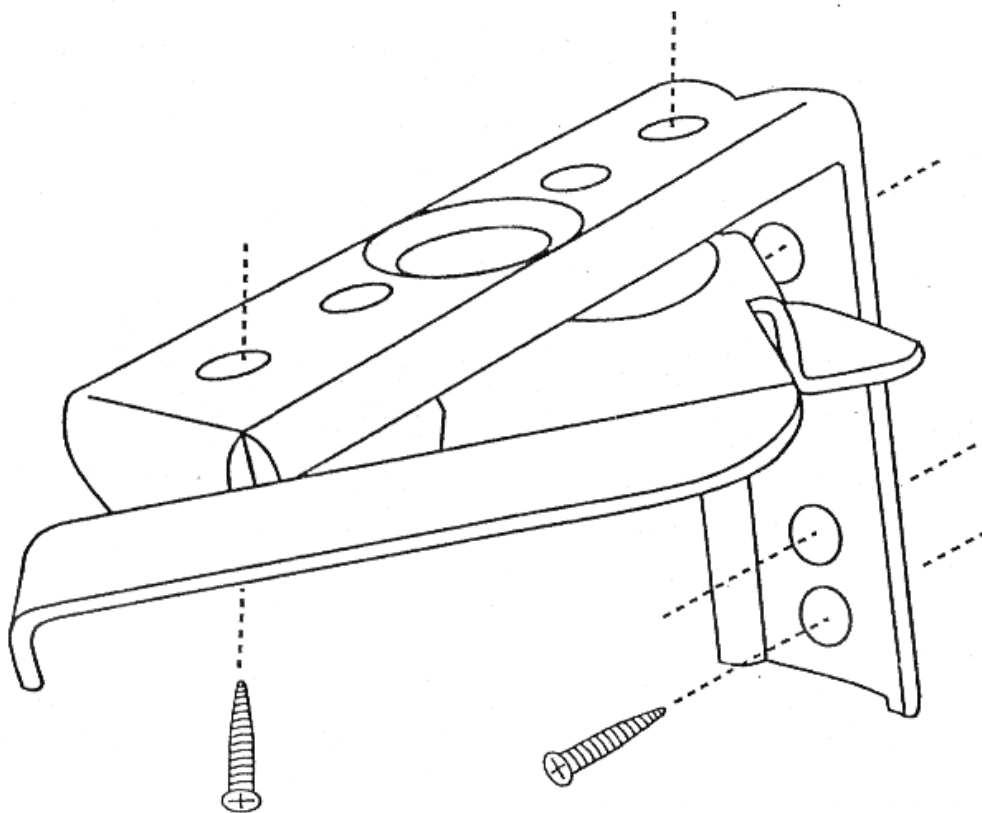
# Kindwood Venetian Blinds Installation Guide

---

## First Decision

Are you going to face fix or top fix the brackets as they do both.

For blinds fitted outside the recess, you'll most likely face fix to the wall above the window. For blinds fixed inside the recess, the simplest method particularly where you have wood windows, is to face fix.

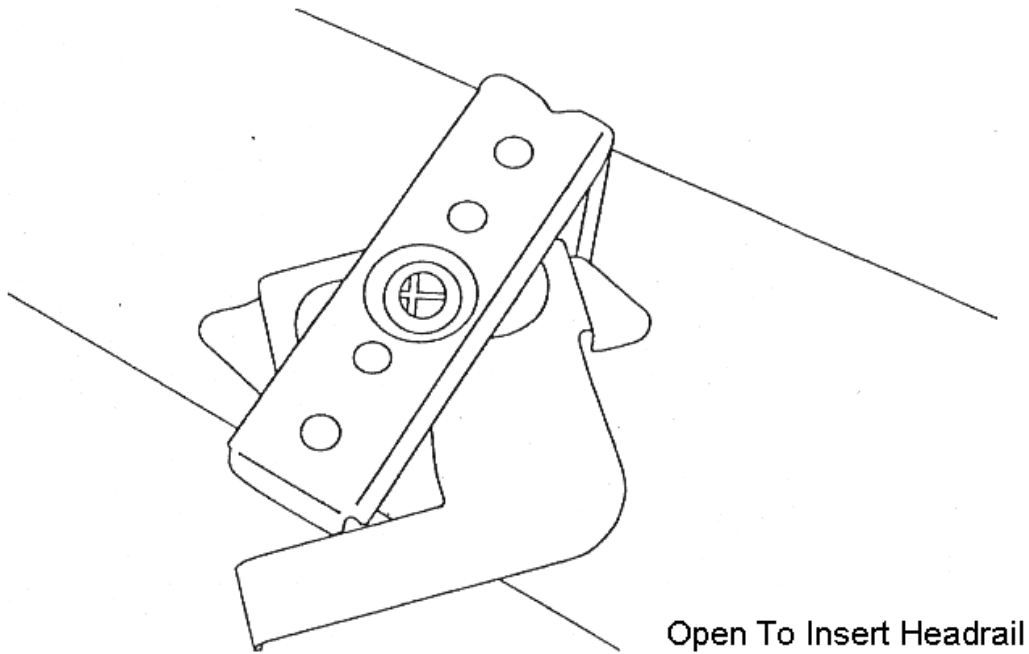


Face Or Top Fix

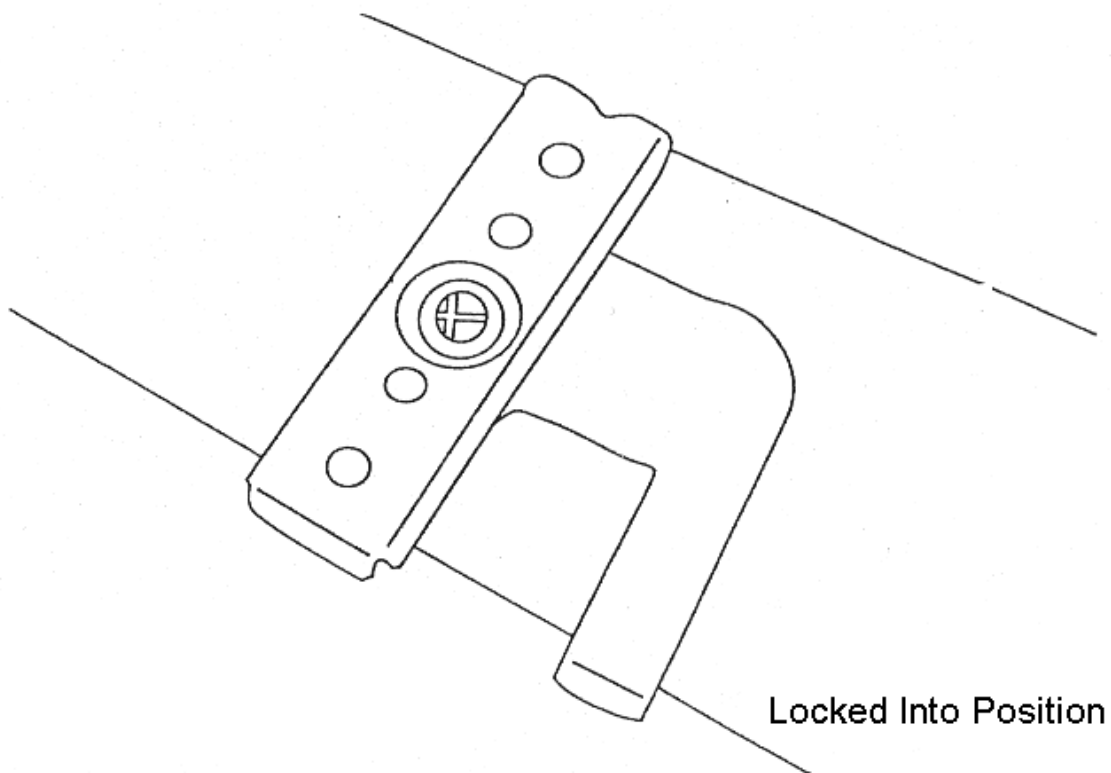
For blinds upto 1200mm wide you only need two brackets, one at each end of the blind, approx 75mm from the ends. For wider blinds you'll find we have provided an additional bracket for the middle.

Just work out where the bracket work best, ensure that the blind will be exactly level and that the brackets do not foul any of the blind components within the hearail and screw the brackets as shown.

If you have upvc windows and are reluctant to drill into the upvc section, or face fixing is not practical, you'll top fix upwards into the brickwork of the recess. If you are considering this, we suggest that you initially try a small test hole, to discover if the concrete lintel or metal "Cantic" style lintel is going to cause difficulty.

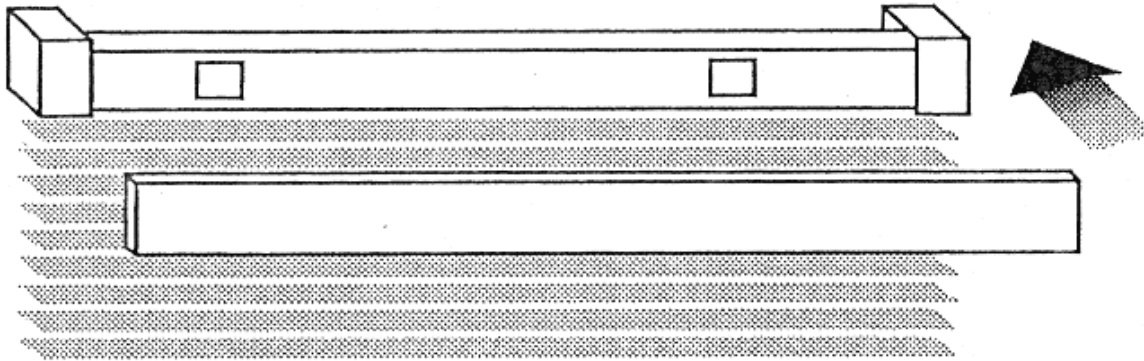


To hang the blind insert the headrail as shown, it clips initially onto the front lugs then when you rotate the small lever, is locked in position.



## Attaching The Pelmet Slat

This special length of matching wood attaches to the headrail front to complete the appearance of the blind.



You'll find that the blind headrail has velcro fittings. Remove the backing to reveal the sticky surface and carefully offer up the wood, when in the correct position, apply pressure to affix to the headrail.

## Aftercare

You can remove dust with a dry cloth, or stubborn stains with a wet cloth and detergent. Do not use scouring agents.